

Directions For Use

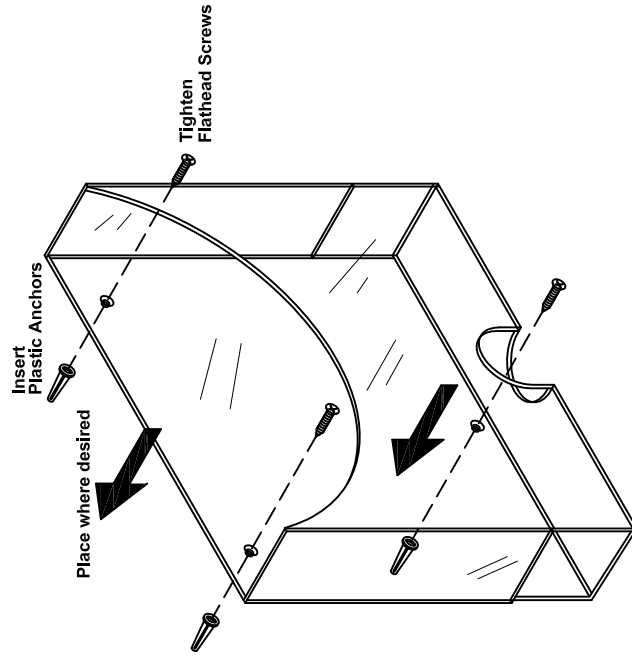
Z-Slider™ Point-Of-Use Clear Wall Holder

Reorder No. 2104-H

OPTION A: Screws and Plastic Anchors

1. Place the Holder up against the wall where desired.
2. Mark the center of the three mounting holes on the wall, then remove the Holder.
3. At the mounting hole marks, drill three 1 inch deep holes using a 3/16" drill bit.
4. After the holes are drilled, use a hammer to insert the plastic anchors into the wall.
5. Place the holder into position aligned with the anchors, then screw the flathead screws until snug.

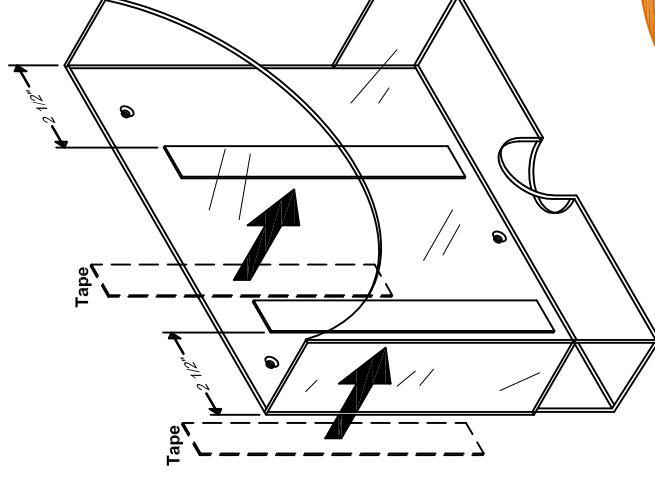
WARNING: Do not over tighten screws.



OPTION B: Double Sided Adhesive Tape

1. Remove the paper backing from one side of the tape.
2. Apply the tape approximately 2 1/2" from each edge.
3. Remove the paper backing from the other side of the tape.
4. Place the Holder up against the wall where desired.
5. Firmly press the Holder against the wall.

WARNING: Damage to painted surface may occur upon removal.



NOTE: For Low Surface Energy walls or porous textured walls
Sandel Medical Industries recommends using Screws and Anchors.



Sandel Medical Industries, LLC
19736 Dearborn Street, Chatsworth, CA 91311 USA
1-818-534-2500 www.sandelmedical.com