

Z-Cord Holder™

Z-Cord™ Holder grooved holes keep your tubes and cords organized on the sterile field.

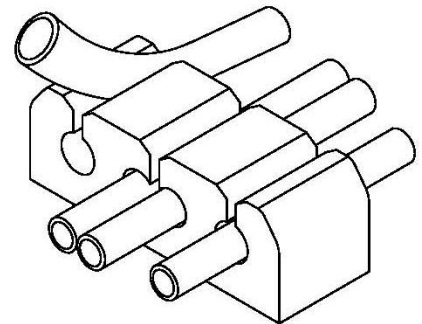


DIRECTIONS FOR USE: Z-Cord Holder™

REORDER: #1117

1 PEEL OFF
ADHESIVE,
AND PLACE
IN DESIRED
POSITION.

2 INSERT TUBES
AND WIRES
BETWEEN
SLOTS.



The Z-Cord Holder is a disposable product.
Do not re-use.

SANDEL
the original exclusive sponsor of
AORN
Patient Safety First program.

SANDEL LLC
Leaders in Healthcare Safety

19736 Dearborn Street, Chatsworth, CA 91311
ph: 818.534.2500 www.sandelmedical.com