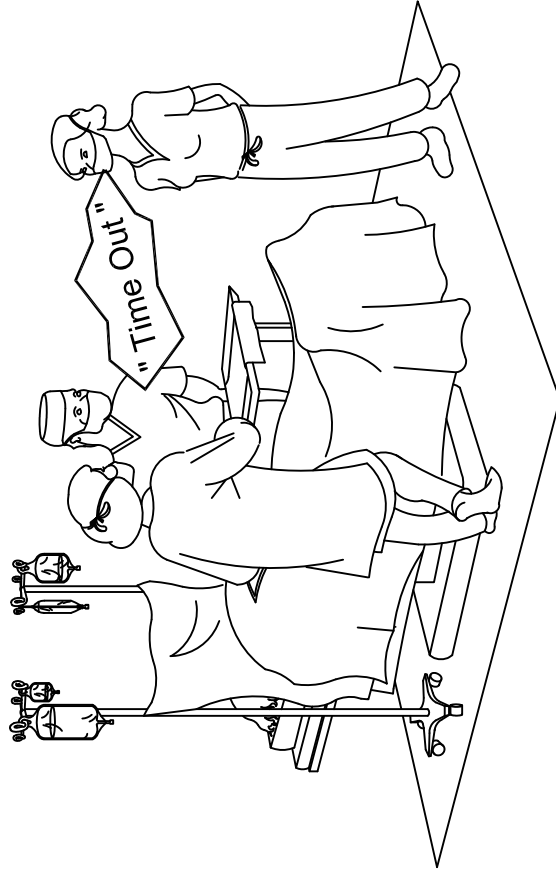
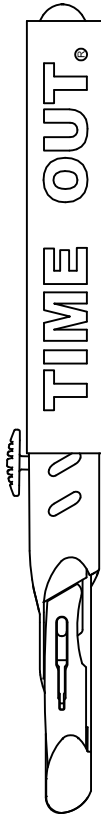


DIRECTIONS FOR USE: TIME OUT SAFETY KIT™

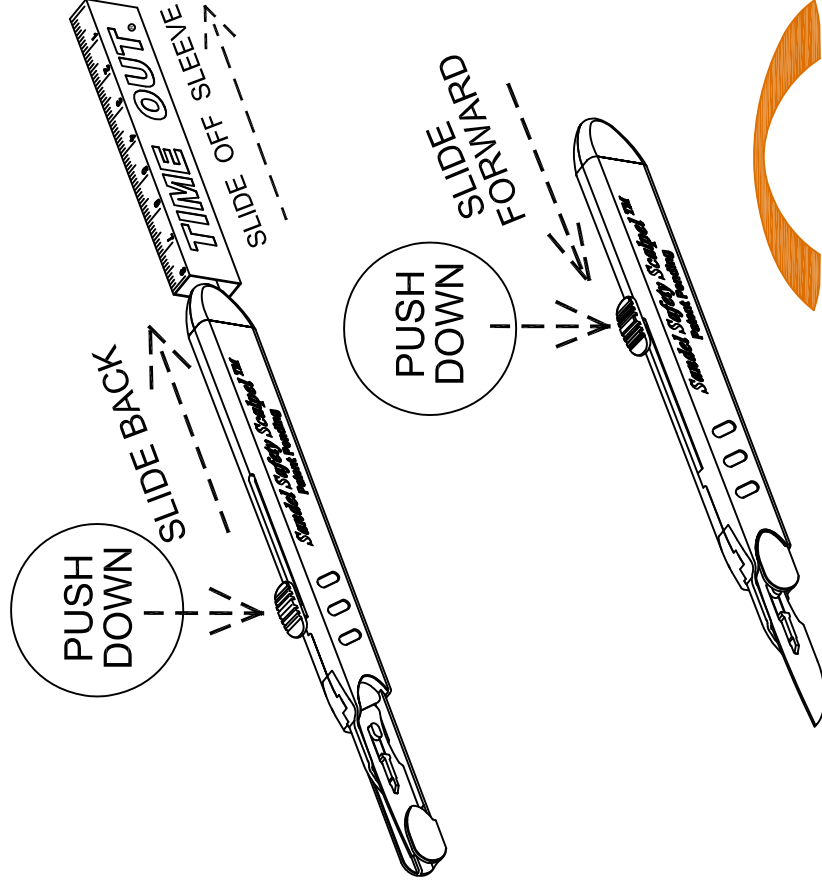
Some Components Patented & Pat. Pend.
Pat. # US 6,955,002 B2; D538,851; D542,415

1 ANNOUNCE A TIME OUT.



2 PERFORM PATIENT, SITE & PROCEDURE VERIFICATION.

3 REMOVE TIME OUT SLEEVE™ PRIOR TO USE.

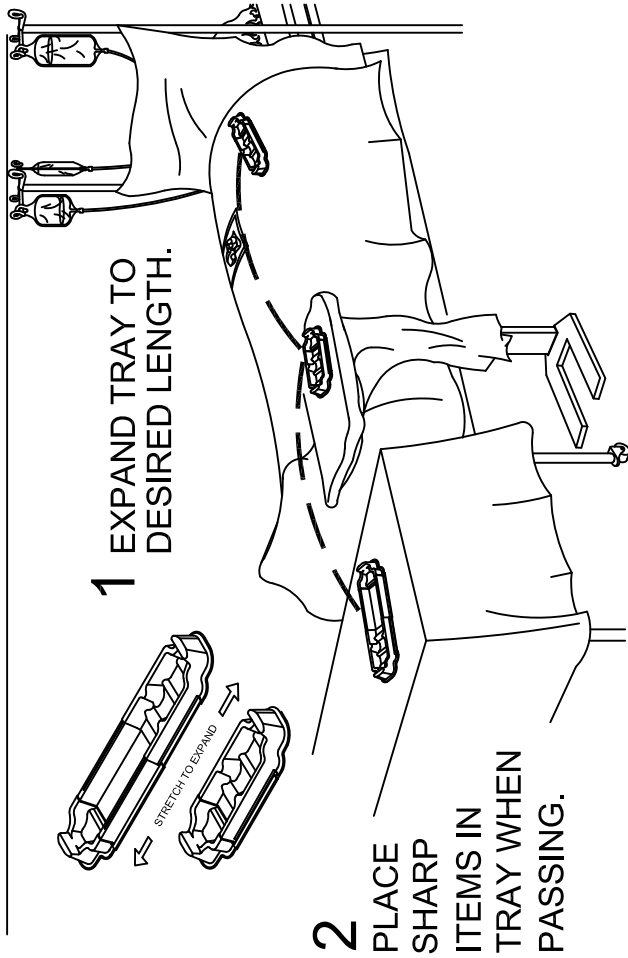


SANDEL
the original exclusive sponsor of
AORN
Patient Safety First program.

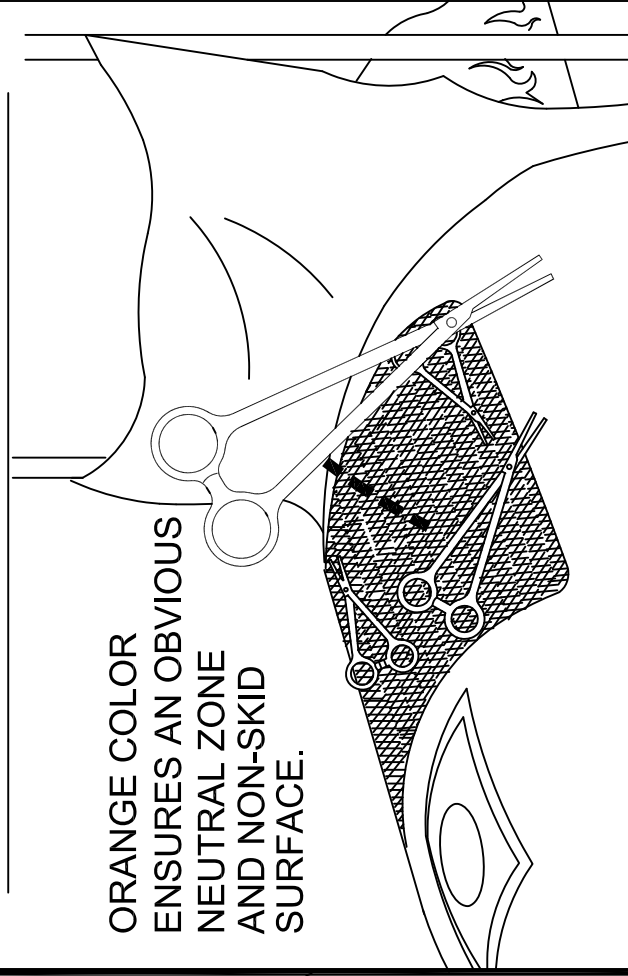
REORDER NUMBERS	
#10 Blade (Weighted)	#10 Blade (Non-Weighted) 2230-N
#11 Blade (Weighted)	#11 Blade (Non-Weighted) 2231-N
#15 Blade (Weighted)	#15 Blade (Non-Weighted) 2235-N



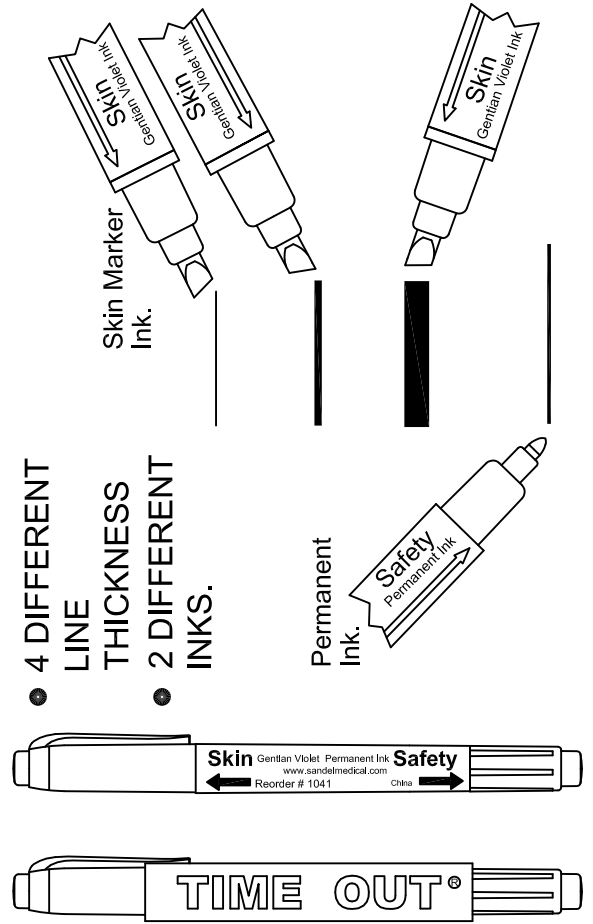
DIRECTIONS FOR USE:
STRETCH-A-TRAY™



DIRECTIONS FOR USE:
Z-FRICTION DRAPE™



DIRECTIONS FOR USE:
4-IN-1™ MARKER



DIRECTIONS FOR USE:
CORRECT MEDICATION LABELING SYSTEM™

