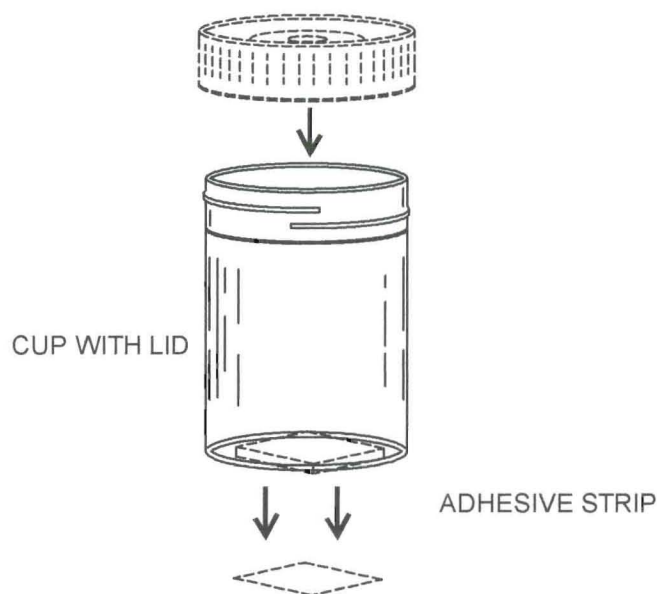


DIRECTIONS FOR USE:
Medicine Cup , 120CC W/Lid

REORDER # 3470

- 1** Remove Adhesive Backing From Bottom Of Cup, Then Adhere To A Surface.



SANDEL
the original exclusive sponsor of
AORN
Patient Safety First Program.

Sandel Medical Industries, LLC
19736 Dearborn Street Chatsworth, CA 91311 USA
1-866-764-3327
www.sandelmedical.com