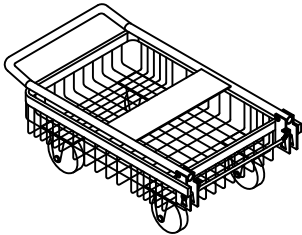
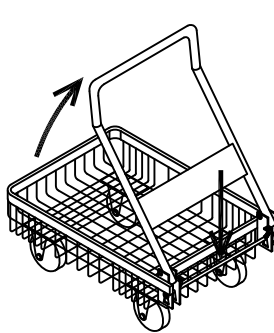


DIRECTIONS FOR USE:
ERGO-STEP™ STOOL CART

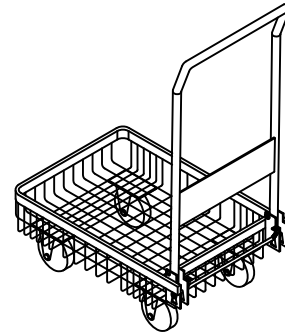
Reorder No. 1170-C



HANDLE SHOWN IN
THE DOWN POSITION.

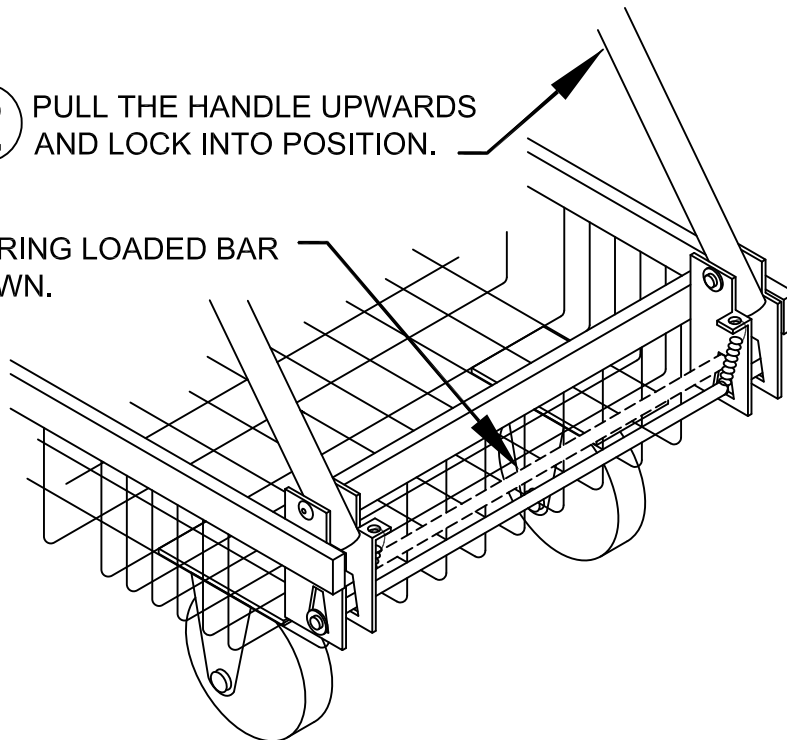


PRESS THE SPRING LOADED BAR DOWN,
PULL THE HANDLE UP AND LOCK INTO POSITION.



2 PULL THE HANDLE UPWARDS
AND LOCK INTO POSITION.

1 PRESS THE SPRING LOADED BAR
DOWN AS SHOWN.



CAUTION!
Wash & Dry Cycle
not to
exceed 100°
Fahrenheit

SANDEL
the original exclusive sponsor of
AORN
Patient Safety First program.

In the healthcare industry, the color orange is a trademark of Sandel Medical Industries, LLC.


SANDEL LLC
Leaders in Healthcare Safety

Sandel Medical Industries, LLC
19736 Dearborn Street, Chatsworth, CA 91311
1-818-534-2500 www.sandelmedical.com