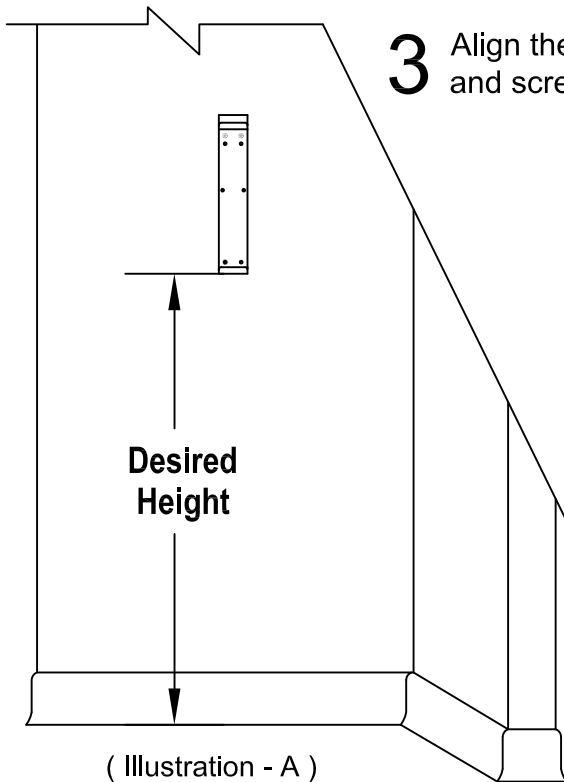


DIRECTIONS FOR USE: MOUNTING BRACKET

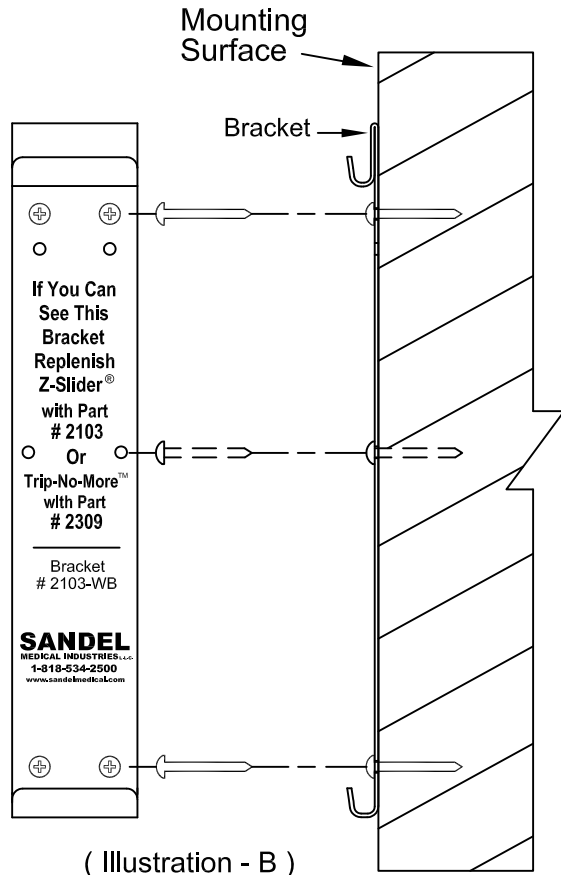
Reorder No. 2103-WB

Use with 2103 and 2309

- 1** Acquire the appropriate screw / anchor for the surface you are mounting to. You may have drywall, brick, metal, etc. (Your maintenance department should determine what to use).
- 2** Measure and mark your desired height, as shown in illustration (A). We recommend no lower than 2 feet, 6 inches.



- 3** Align the bottom of the bracket with your mark and screw in place.



- 4** NOTE: It is recommended that 4 of the 8 holes be used to secure bracket to wall, as shown in illustration (B).

- BOX WEIGHT -		
Reorder No.	Product Name	Weight
2103	Z-Slider™	6.7 Lbs.
2309	Trip-No-More™	9 Lbs.

Safety means NEVER having to say you're sorry.®

In the healthcare industry, the color orange is a trademark of Sandel Medical Industries, LLC.



Sandel Medical Industries, LLC
19736 Dearborn Street, Chatsworth, CA 91311
1-818-534-2500 www.sandelmedical.com